

# GURLEY MODEL HDT HEAVY DUTY ENCLOSURE

MOTION TYPE:

ROTARY

USAGE GRADE:

HEAVY INDUSTRIAL

OUTPUT:

INCREMENTAL OR ABSOLUTE



## EXTREMELY ROBUST ENCODER PROTECTION

The Model **HDT** enclosure will protect the encoder in those applications that involve extremely heavy shaft loads, rough handling or severe environments. The enclosure isolates the encoder from external loads, shock, vibration and contamination.

The shaft-and-bearing assembly is removable as a separate unit to allow convenient installation of the encoder, and also to permit press-mounting of gears and pulleys.

The **HDT** is designed to hold the Series **9x25S** incremental encoder, but it can also be modified for the Model **A25S** absolute encoder, **A23S** multi-turn absolute encoder or **Vx20S** *Virtual Absolute*® encoder.

### SPECIFICATIONS

SHAFT	303 STAINLESS STEEL
HOUSING	ANODIZED ALUMINUM WITH MINIMUM WALL THICKNESS OF 0.23"
WEIGHT	9 LB (4 KG) MAX + ENCODER
BEARING LOAD RATINGS	1127 LB (5013 N) DYNAMIC, 673 LB (2994 N) STATIC
SEALING	SEALED BEARINGS + MAGNETIC LIQUID SHAFT SEAL
PROTECTION	NEMA 6, IP67
TORQUE	10 IN-OZ (0.07 N-M)
INTERNAL SHAFT COUPLING	COUPLING TORSIONAL STIFFNESS IS 0.413 ARCMIN/IN-OZ. WINDUP DEPENDS ON SPECIFIC ENCODER TORQUE; SEE ENCODER DATASHEET.
OPERATING TEMP.	32° F TO 140° F (0° TO 60° C)
STORAGE TEMP.	-40° TO 185° F (-40° TO 85° C)
HUMIDITY	100% RH MAX, INCLUDING CONDENSATION
SHOCK	200G, 11 MS
VIBRATION	20G, 10 TO 2000 HZ
CONDUIT TERMINATION	REAR COVER TAPPED FOR ½ - 14 NPT. INTERNAL BARRIER STRIP FOR ELECTRICAL CONNECTIONS.
ORDERING INFORMATION	ORDER MODEL HDT. SEE ENCODER DATA SHEET FOR ORDERING INFORMATION.

ISO  
9001  
CERTIFIED

Gurley Precision Instruments  
514 Fulton Street  
Troy, NY 12180 U.S.A.  
(800) 759-1844, (518) 272-6300, fax (518) 274-0336,  
Online at [www.gurley.com](http://www.gurley.com), e-mail: [info@gurley.com](mailto:info@gurley.com)



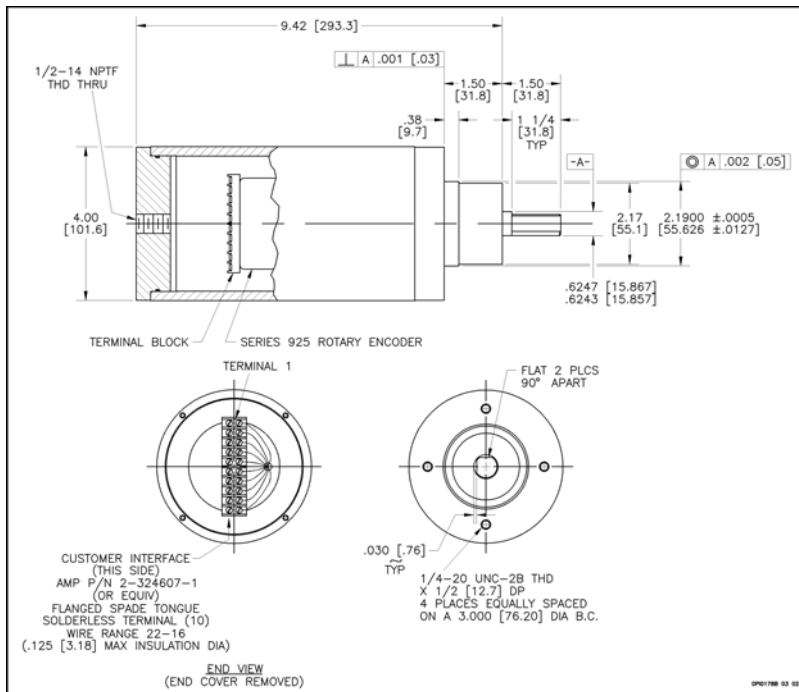
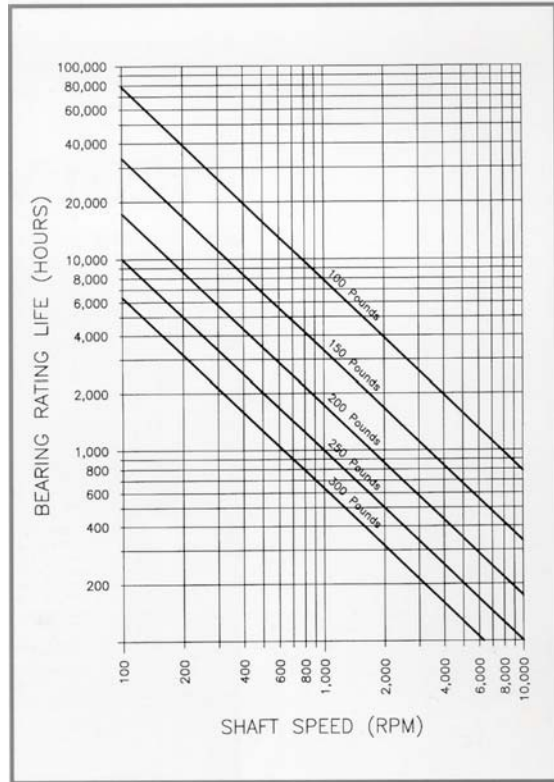
ingenuity@work®

# SPECIFICATIONS

## BEARING LOAD-LIFE-SPEED RELATIONSHIPS FOR RADIAL LOAD AT END OF SHAFT

### TERMINAL BLOCK CONNECTIONS (for 9x25 encoder)

Function	Wire color	Terminal
A	Yellow	1
/A	Brown	8
B	Green	3
/B	Orange	9
IND	Blue	5
/IND	White	10
FLT	Violet	N/A
/FLT	Gray	N/A
+V	Red	4
Common	Black	2
Case	Bare (shield)	7



As part of our continuing product improvement program, all specifications are subject to change without notice.

